

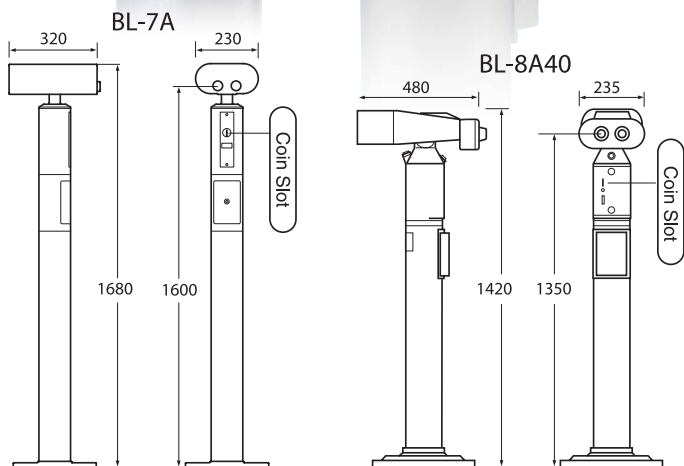
KOWA COIN-OPERATED BINOCULARS

High Performance

High Grade Model
BL-8A40

Standard Model
BL-7A

- Large diameter objective lenses for bright and sharp images.
- Viewing time and coin type set to required specifications.
- Simple installation and dismantling for easy relocation.
- Rugged and waterproof structure for use in all outdoor conditions.



Ocular Lens Side

Installation of the base

To secure the base of the binocular, install 1/2" diameter bolts (6) at the points shown in the diagram to the left. Leave 1.5" of the bolt exposed, place the base over the bolts and tighten the nuts on the bolts.

PROMINAR

Model	Magnification	Objective Lens Diameter	Field of View	Exit Pupil	Diopter	Interpupillary Distance	Elevation	Depression	Rotation
BL-8A40	20X	80mm	3°	4.0mm	-0.75D(fixed)	62mm	27°	18°	360°
BL-7A	20X	80mm	3°	4.0mm	-0.75D(fixed)	66mm	30°	30°	360°

Model	Viewing Height	Battery	Viewing Time	Usable Coin	Operation	Max. receipt of coin	Size (H×W×L)	Weight
BL-8A40	1350mm	Lithium DC 3V(1pce.)	60,100 or 150 sec.	as requested	One opening per one coin	300coins	1420×235×480mm (55.9×9.3×18.9in)	Approx.25kg (55lbs)
BL-7A	1600mm or 1350mm	Lithium DC 3V(1pce.)	60,90,100,120 or 150 sec.	as requested	One opening per one coin	500coins	1680×230×320mm (66.1×9.1×12.6in)	Approx.31kg (69lbs)